

 **Tiger**™  
ROTARY AND FLAIL

# Boom Mowers



## Bengal Brute

Bengal Brute standard with secondary boom breakaway. Available with LRS on specific tractor models.

DURABILITY

INNOVATION

COMMITMENT



# Bengal

18·22·24

18'



22'



High mount  
Extreme Duty  
boom swivel bracket  
All Bengals

24'



# Rotary heads



**50" Rotary**



**60" Rotary**



Cuts Up to 6" brush

50" or 60" Bengal Rotary heads have the choice of Disc or Blade bar cutting systems.



Cuts Up to 5" brush

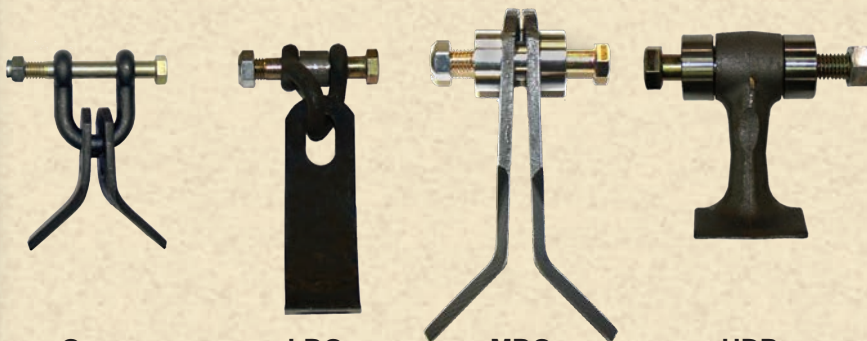
# Flail heads



63" Flail with Grass knives



50" Flail with MBG knives



Grass  
Grass only

LBG  
Up to 2 1/2" brush

MBG  
Up to 3" brush

HDB  
Up to 4" brush



50" Flail with HDB knives



# Stow Systems



**SIDE STOW (SS)**

**SINGLE PT STOW (10S)**

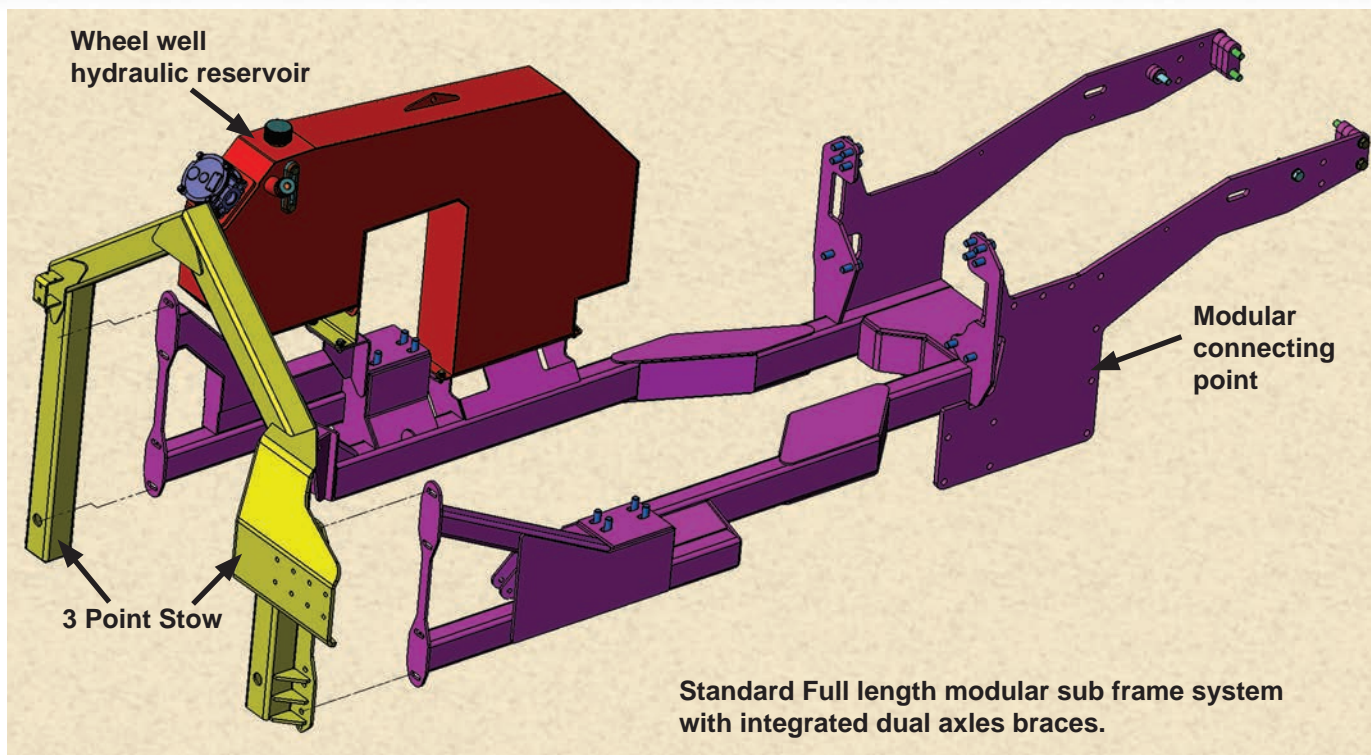


**3 PT OPEN STOW (30S)  
W/ DBL AXLE SUPPORT**

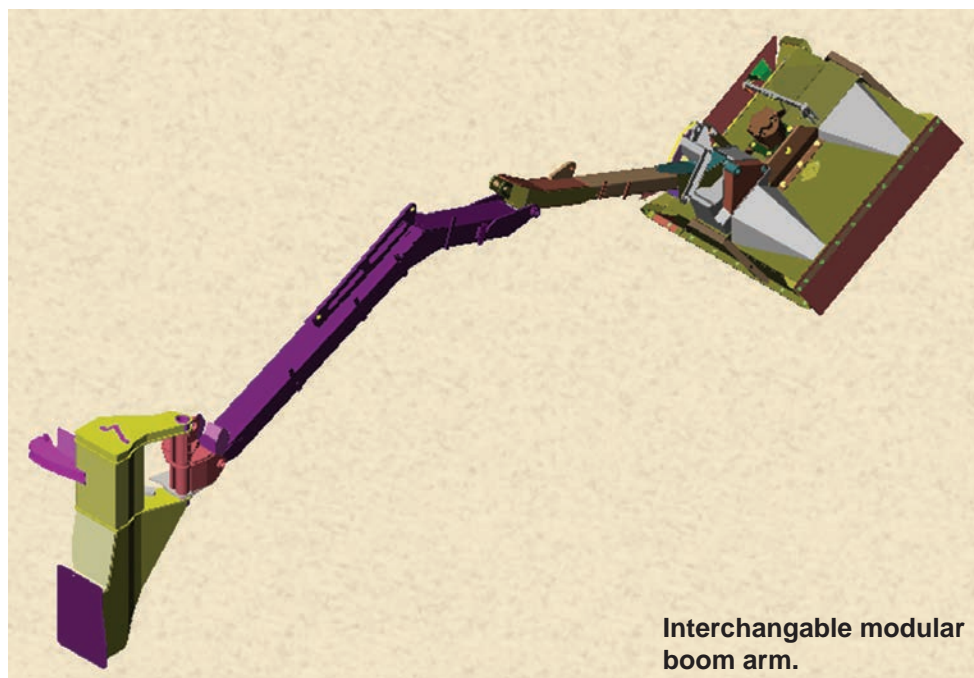
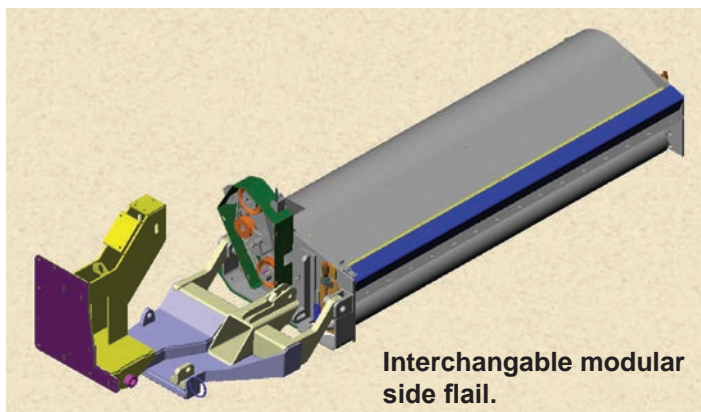
**BENGAL BRUTE STOW  
W/ SECONDARY BOOM  
BREAKAWAY**



# Modular Frame



To enhance the adaptability of our products, Tiger offers a modular mounting frame to ease mower change for your vegetation needs. This unique design offers interchangeability with our boom and side mowers. With the Tiger modular frame, changing mower types can be accomplished in approximately 8 hours. The boom mower frame should be installed at the onset to ensure the most effective framing system for future changes.



### 25'



### 28'



### 30'





# Rotary heads



**50" Rotary**



**60" Rotary**



25' Saber Only  
Cuts Up to 8" brush



28' and 30' Saber  
Cuts Up to 6" brush



Cuts Up to 5" brush

# Flail heads



63" Flail with Grass knives  
Only available on 25' Saber



50" Direct Drive Flail with MBG knives  
Only available on 30' Saber



Grass  
Grass only



LBG  
Up to 2 1/2" brush



MBG  
Up to 3" brush



HDB  
Up to 4" brush



50" Flail with HDB knives



# Options



## CABLE CONTROLS

Hydraulically driven Cable Controls for Boom mower.



## ELECTRONIC JOYSTICK

Electronic over hydraulic Joystick Control.



## PUMP/GRILL GUARD

Additional protection with Pump or Grill Guard.



## PERIMETER GUARD

Designed to protect the tractor from falling debris.



## AXLE STABILIZER or TIMBREN

Additional stability and control for larger booms. Tractor specific, contact your Tiger Dealer for the option that matches your model of tractor.



## "GROWLER" MULCHING HEAD

Mulching head attachment for all Bengal Booms and 25' Saber boom.

# Standard Features



## TRAVEL SAFETY LOCK

Controlled from operator's position.



## BRAKE VALVE

Brake valve stops the cutter head in less than 7 seconds.



## NITROGEN ACCUMULATOR

Provides smooth response and reduces shock.



## SAFETY LIGHTING

Lightbar or rear signals on all boom mowers.

### Dealer Info:

Tiger Corporation  
3301 N Louise Ave.  
Sioux Falls, SD 57107  
800-843-6849  
[www.tigermowers.com](http://www.tigermowers.com)  
An Alamo Group Company

Contact Tiger Corporation for tractor compatibility requirements. Specifications are subject to change without notice. Optional equipment may be shown. One Year Warranty on all products.

