

SL-3 STATIONARY LOADER



TOPPER. PICKER. GRABBER. LIGHTNING LOADER®

No matter what name you give it; a Petersen Lightning Loader® will make your scale house or transfer station run like a well-oiled machine.

Here Are a Few Benefits:

- 🔸 **More Efficient Worksites**
Quickly maxes the loads to keep the trucks flowing
- 🔸 **Built How You Need It**
Boom configuration and control option customized for your location
- 🔸 **Flexible Durability**
Simple design to minimize wear in harsh environments

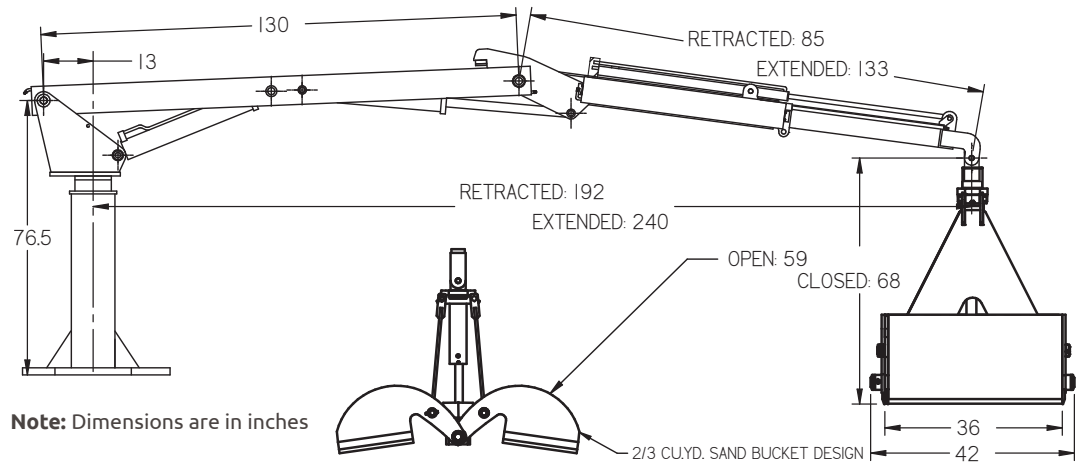


American born. American made.
Efficient, dependable one-man operations for secure solid waste removal. Revolutionizing grapple trucks since 1957 and home to the original, industry-defining Lightning Loader®.

WE BUILD LEGENDS.

BOOM CONFIGURATIONS

- 20' overall – fixed tip boom
- 20' overall – 16' with 4' extension



SYSTEM DESCRIPTION

- Pedestal designed to flex under repeated load shocks
- Stress relieved head assembly
- Counterbalance valves used on boom cylinders
- Attachments available for scrap, rock, bales
- Boom rotation driven by a planetary gearbox and motor
- Rotates 270 degrees, with an option for increased rotation

CONTROL OPTIONS

- All fully proportional
- Pilot Hydraulic
- Mechanical*
- Electronic

**Mechanical controls require the valve bank and power pack to be mounted directly below the operator station.*

MOUNTING SITE

- Mounting base must be designed to fit Petersen's round base plate. (Contact Petersen for diagrams.)

POWER SOURCE

- 20 HP, 3 phase electric motor directly coupled to the hydraulic pump
- Power source can be remotely located if electronic or pilot controls are specified

LIFT CAPACITY

Radius	Load Capacity
10 ft. radius	7,100 lbs.
16 ft. radius	4,400 lbs.
20 ft. radius	3,200 lbs.

—————
**CONTACT PETERSEN INDUSTRIES
 FOR COMPLETE SPECIFICATIONS.**
 —————

SCAN TO
LEARN MORE



 4000 SR 60 West
 Lake Wales, FL 33859
1.800.930.LOAD (5623)



PETERSENIND.COM
 Contact Us Today To Learn More