



WildKat Rotary

Side Shift

INDUSTRIAL
MOWER

Ready, willing and able. The Tiger WildKat is built strong to stand up to your toughest mowing needs.

The unique arch boom design with swing system, optional rotary or flail cutter heads and combined side shift of over 40" gives the operator of this mower the capability to handle almost any mowing problem that can come their way.

If you want to add additional features look at the optional rear hydraulic side shifting flail mower, with the ability to mow directly behind the tractor or shift to the right up to 31". This combination gives you versatility that no other mowing system can offer.

Rear hydraulic flail is available in 90" and 96" Hydraulic driven - Hydraulic side shift, or PTO driven- Hydraulic side shift.

WildKat available in 75" Flail and 60" Rotary.



WildKat Flail with Rear Side Shift Flail

DURABILITY

INNOVATION

COMMITMENT



WildKat Flail

- Arch design with Rear Stow system
- Hydraulic breakaway
- 41 inches of combined Side Shift capability.
- 30 inches of Hydraulic Side Shift
- 11 inches of Mechanical Side Shift



75" FLAIL



60" ROTARY



**HYDRAULICALLY DRIVEN
REAR SIDE SHIFT FLAIL
HYDRAULICALLY SHIFTS RIGHT 31"
WHICH ELIMINATES PTO SHAFT AND
INCREASES SIDE SHIFT**

Available in Super Duty Only

**PTO DRIVEN
REAR SIDE SHIFT FLAIL
HYDRAULICALLY SHIFTS RIGHT 23"**

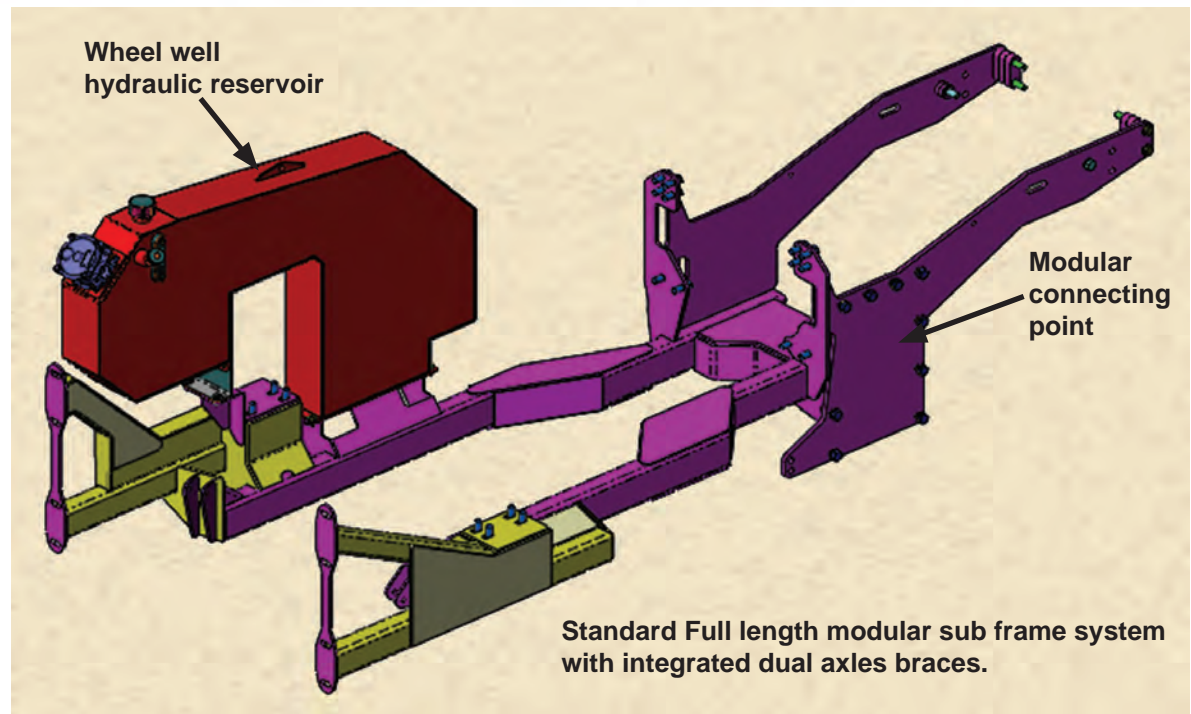
Less cost with No hydraulic lines.

**Available in Super Duty and
Extreme Duty**

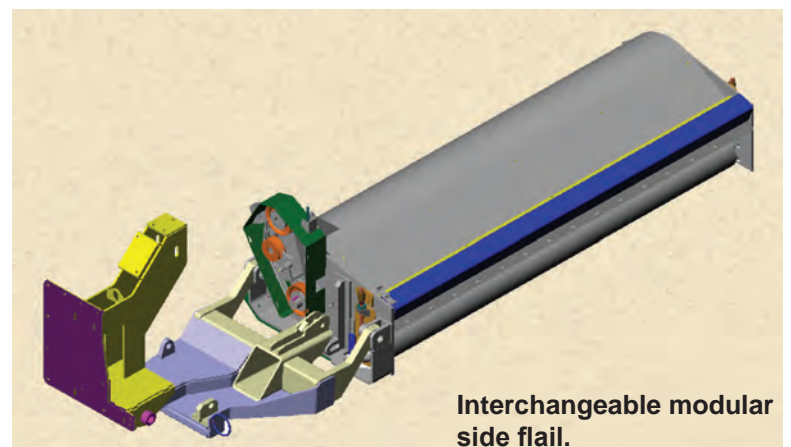
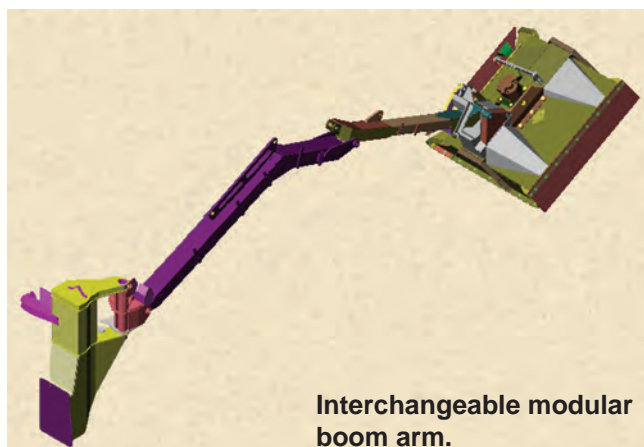
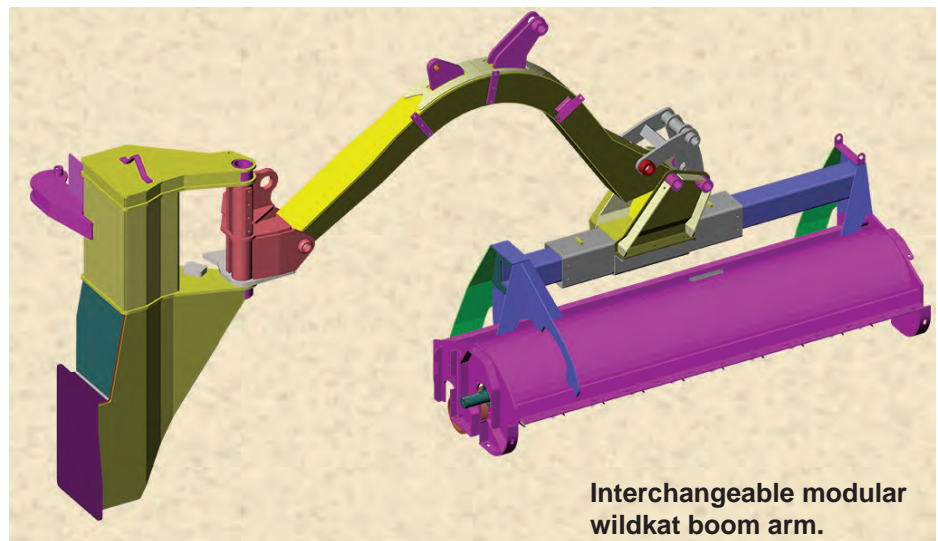




Modular Frame



Tiger has redesigned the mounting frame for several of our tractor assemblies in a new modular format. This unique design builds additional strength into the tractor framing system while providing interchangeability. Maximize your mowing potential with a Tiger modular frame, making the change from a side mower to a boom or from a boom to a side. Increase in flexibility and more mowing options are just a few of the reasons why Tiger's new modular frame is a must for your next tractor mowing system.



* Additional hydraulic controls needed for interchangeability.



Hydraulic Controls

Joystick with EFS - Easy Float System

- CANbus Joystick- electronic over hydraulic control system.
- Dual Float system on Boom and Deck Roll functions, and includes Float-Assist to Boom function.
- Single Button control engages Dual Float system and Boom Float-Assist, resulting in cutter head following contour of ground.
- Float-Assist to Boom Function provides regulated lift pressure to Boom Function as well as Float Function, resulting in less ground pressure on ground roller.
- Operator can engage or disengage system instantly by using button. Float can be disengaged by operating Deck Roll In/Out or Boom Up functions.
- Increases bearing life with less operator fatigue.
- Provides accurate control over boom and head float.
- System is ideal for ditch mowing where speed and efficiency are essential.



EFS - Electronic Joystick



Cable Controls

Cable Controls

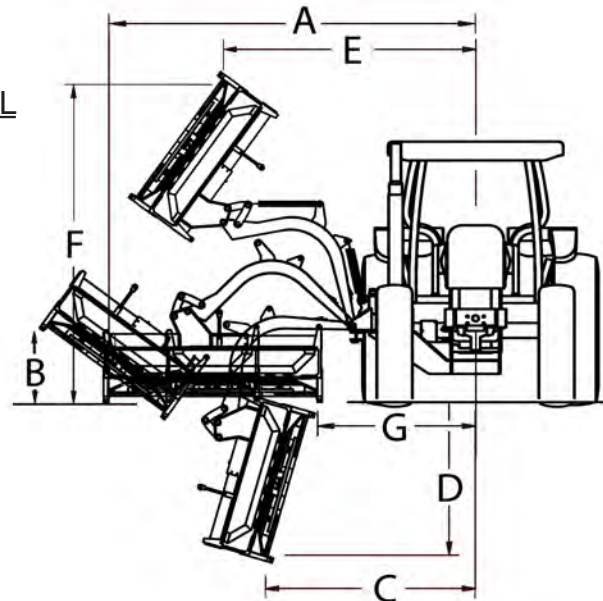
- Cable Controls also available

WildKat

60" Rotary

75" FLAIL

A - Reach Out @Max.	15.1'	16.0'
B - Ground Level to Blade Tip	2.7'	2.8'
C - Reach Out @ Max. Down	7.4'	8.8'
D - Reach Down	5.3'	5.9'
E - Reach Out @ Max. Down	10.5'	8.1'
F - Reach Up	11.3'	12.8'
G - Reach In	5.7'	5.5'



(All dimensions in feet with cutter head)

Specifications are subject to change based on make, model and tire size. Optional equipment may be shown.

Tiger Corporation
 3301 North Louise Ave
 Sioux Falls, South Dakota 57107
 800.843.6849

www.tigermowers.com

An Alamo Group Company

Stay Connected  

Dealer Info:



MADE WITH PRIDE IN THE USA