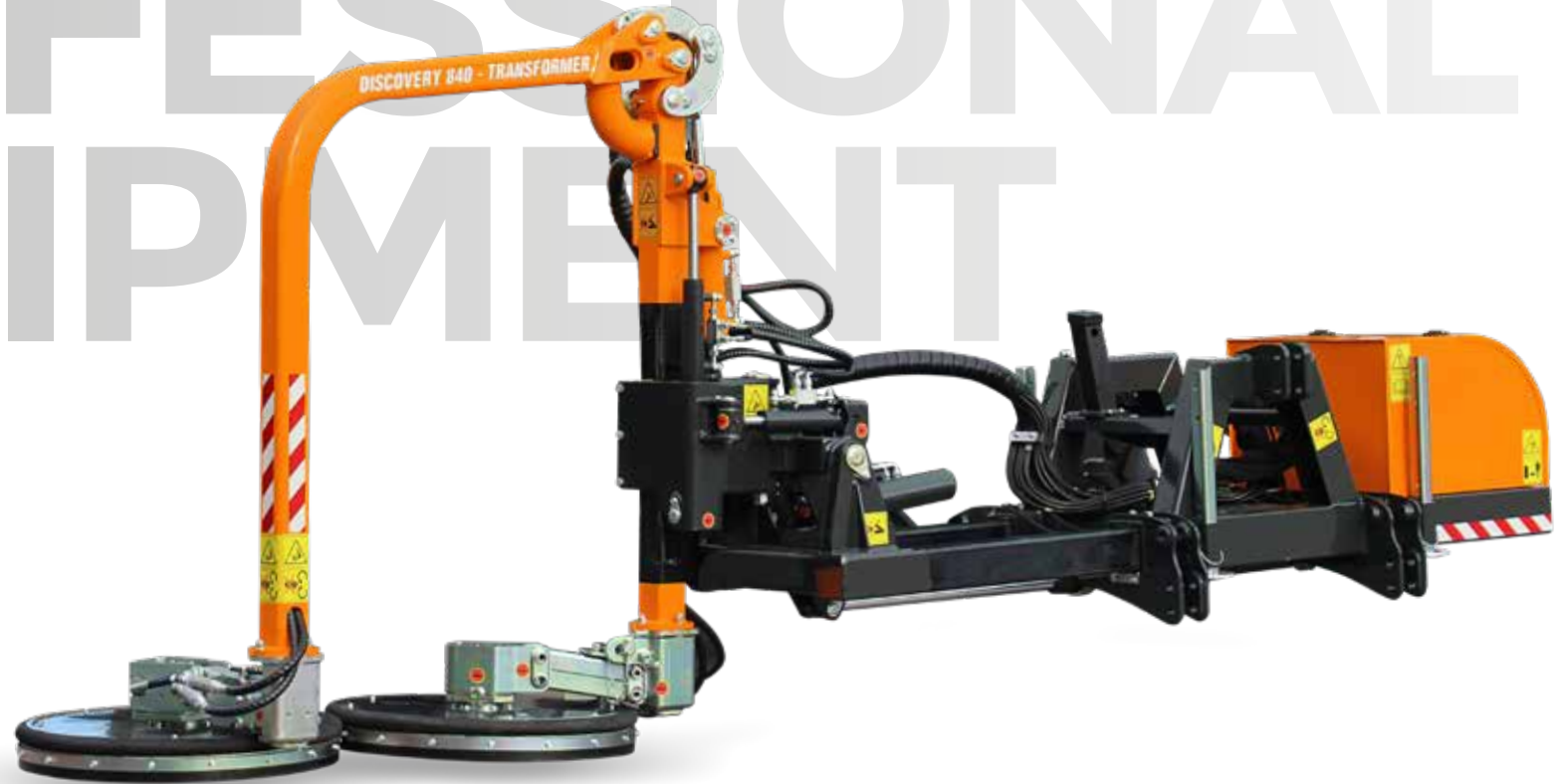


**RAIBER** BARRIER MOWER  
**TRANSFORMER 840**



**ENERGREEN**<sup>®</sup> *America*  
Professional Machines 

PROFESSIONAL  
EQUIPMENT



**EQUIPMENT**

THE ACCESSORY SUITABLE FOR EVERY WORK



# BARRIER MOWER

## **RAIBER TRANSFORMER 840**

**RAIBER TRANSFORMER 840** is a barrier mower with hydraulic drive, with an independent 1000 rpm power take off (540 rpm on request) operated system.

The equipment can be attached to the tractor simply with a 3-point hitch, both front and rear, or DIN plate; and can work on both the right and the left side by simply reversing the cutting discs.

Constructed with a sturdy tubular frame weighing a total of 3306 lb, it is equipped with two side arms that open up to go beyond road guardrails, steel cables, and hedges of a maximum height of 67", and is able to cut simultaneously from both sides and underneath the obstacle with a cutting width of about 59".

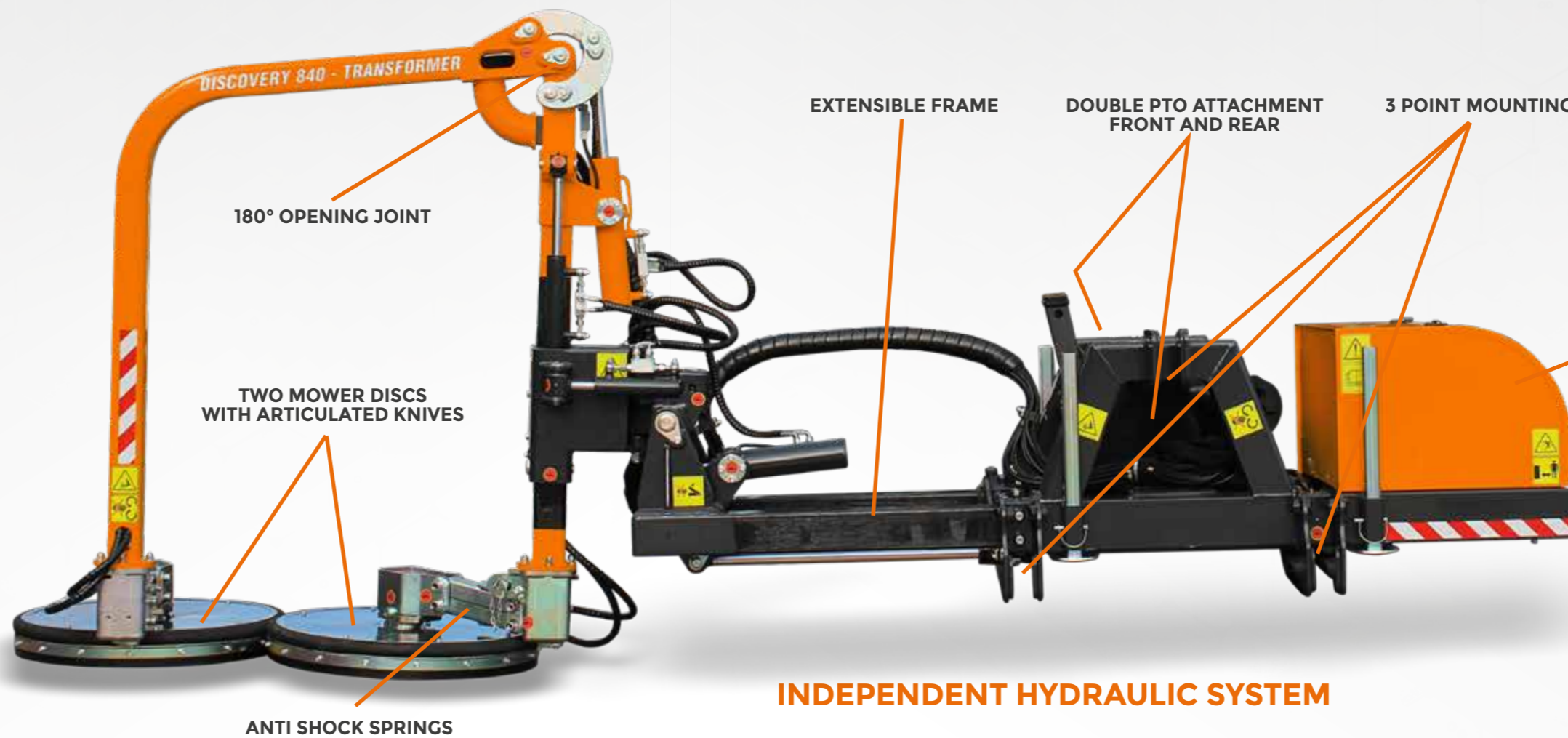


# OPENING 180°



## OPENING 180°

The great versatility and working speed of the machine partly depend on the possibility of opening the external arm 180°, permitting a fast and easy positioning and, most of all, enabling the machine to continue mowing with the internal disc while the external one, by lifting up, can pass over road or advertising signs that may be present along the way, while automatically interrupting the rotation of the blades.



180° OPENING JOINT

TWO MOWER DISCS WITH ARTICULATED KNIVES

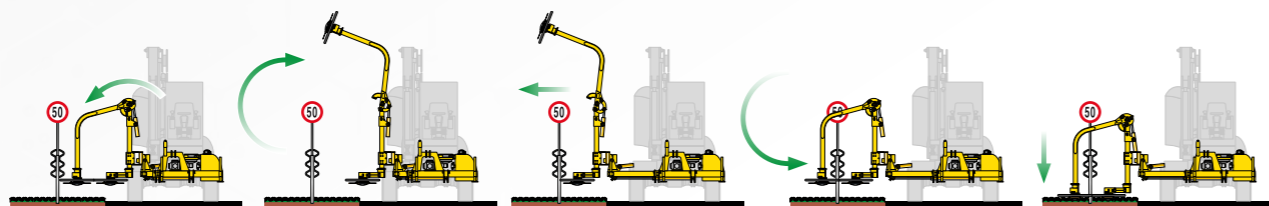
ANTI SHOCK SPRINGS

EXTENSIBLE FRAME

DOUBLE PTO ATTACHMENT FRONT AND REAR

3 POINT MOUNTING

45 GAL OIL TANK



# BARRIER MOWER

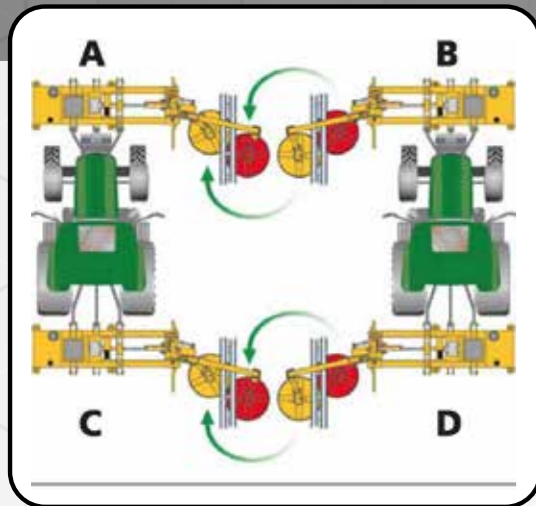
## RAIBER TRANSFORMER 840

## INDEPENDENT HYDRAULIC SYSTEM

Independent hydraulic system with a 45 gal tank that feeds the main drive by means of three pumps, of which two feed independently the hydraulic engines of each of the cutting heads and one feeds all the functions controlled from a central console installed in the tractor cab near the operator. Standard equipment includes a heat exchanger that enables the machine to operate continuously and in any temperature conditions.



## WORKING RIGHT OR LEFT POSITION



**A: FRONT RIGHT**    **C: REAR RIGHT**  
**B: FRONT LEFT**    **D: REAR LEFT**

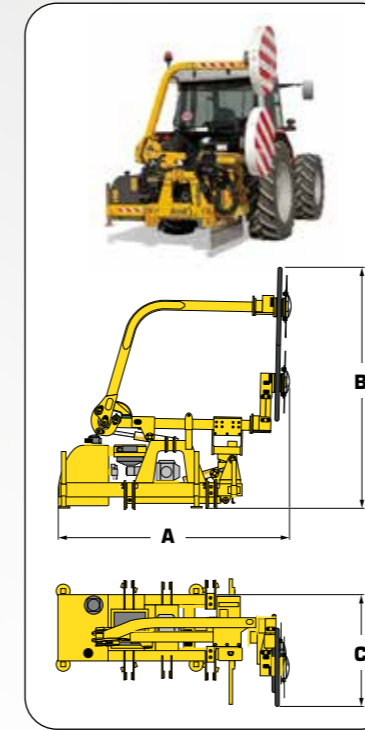
## MACHINE POSITIONS

**RAIBER TRANSFORMER 840** mower is constructed with a double hitch that enables it to be used in various positions; it may be hitched to either the front or the rearhoist and, by simply reversing the cutting blades, can be used on either the right or left side.

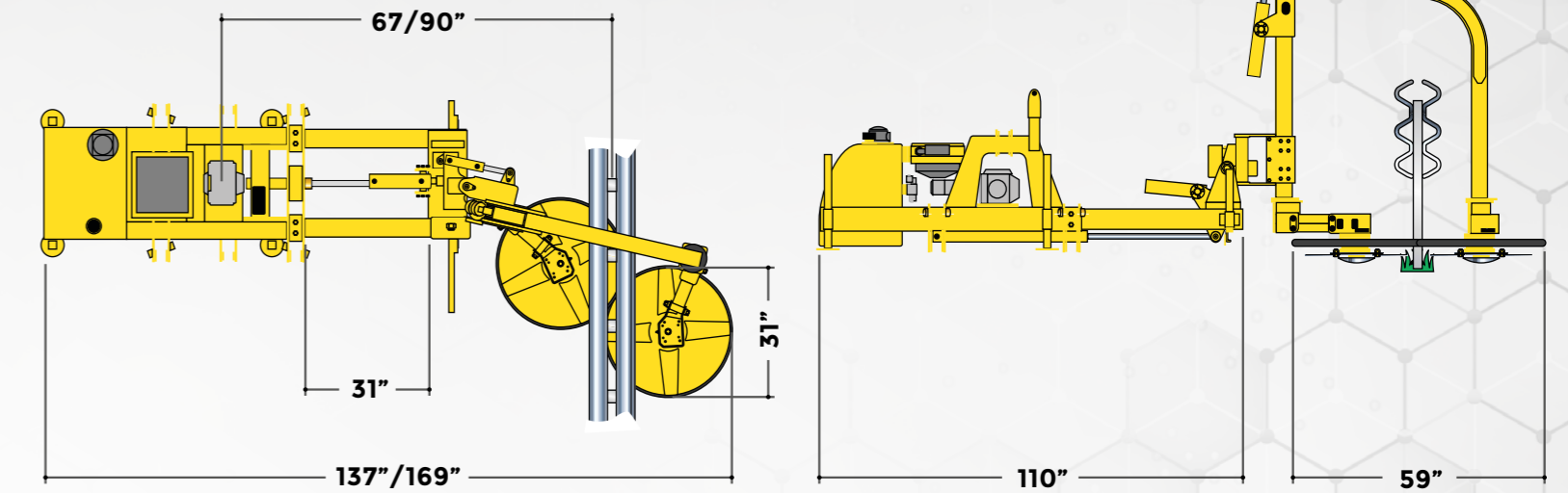


## TWO MOWING DISCS

The two mowing discs allow the machine to operate safely and effectively. The rotary element is equipped with 2 articulated blades that are able to absorb the force of any collisions with standing obstacles, preventing damages on the hydraulic engine. A central neutral disc, which rests on the ground, enables the machine to cut following the contour of the terrain. The upper disc, equipped with an external rubber protection, can move around the vertical guardrail posts, automatically operating the spring that opens the elements so that the blades can cut all the grass present.



◀ TRANSPORT POSITION



WORKING POSITION ▼

## TECHNICAL DATA

### TRANSPORT POSITION

|                 |      |
|-----------------|------|
| <b>A</b> Width  | 98"  |
| <b>B</b> Height | 102" |
| <b>C</b> Depth  | 51"  |

### WORKING POSITION

|                    |             |
|--------------------|-------------|
| Width              | 137" / 169" |
| Working width disk | 59"         |
| Discs diameter     | 31"         |

|                           |                               |
|---------------------------|-------------------------------|
| Power required            | 85 HP                         |
| Max input torque          | 630 Nm at 1000 rpm            |
| Absorbed Power (1000 PTO) | 45 HP (33 kW)                 |
| Max. knives speed         | 3000 rpm                      |
| 3 point mounting          | Cat. II                       |
| PTO Speed                 | 1000 rpm (540 rpm on request) |
| Weight                    | 3307 lb                       |



# RAIBER TRANSFORMER 840

     [ENERGREENAMERICA.COM](http://ENERGREENAMERICA.COM)



# PROFESSIONAL EQUIPMENT



Local dealership



**ENERGREEN**<sup>®</sup> *America*  
Professional Machines 

ENERGREEN America • 1242 Nowell Dr • Augusta • GA 30901 • USA  
Phone CA 510 593 3144 • Phone GA 706 945 2800  
[info@energreamerica.com](mailto:info@energreamerica.com) • [www.energreamerica.com](http://www.energreamerica.com)

PROFESSIONAL MACHINES AND EQUIPMENT



ELUSD0700102 - 06/21 - © Energreen America 2021 - All rights reserved.  
Photo, technical and constructive characteristics subjected to modification without reporting requirement.